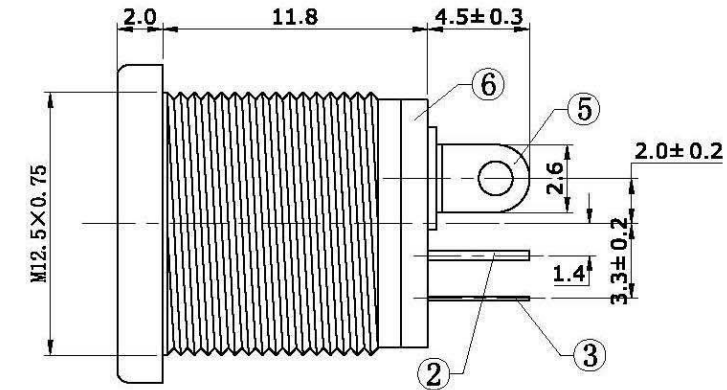
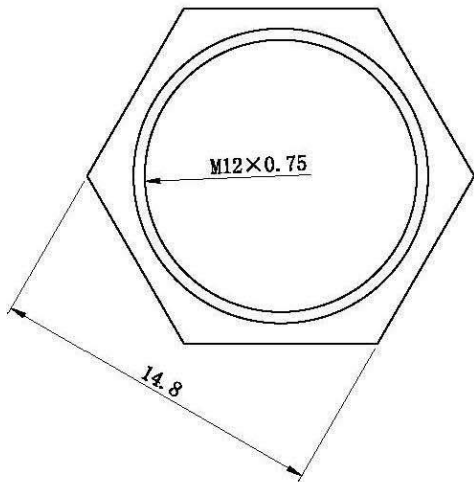
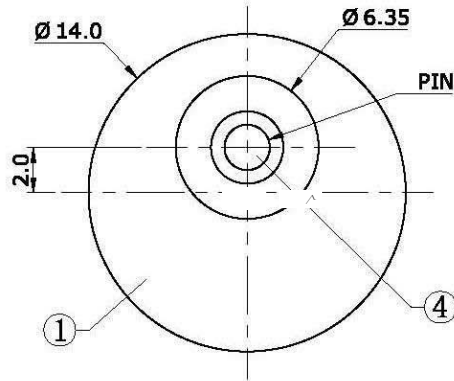
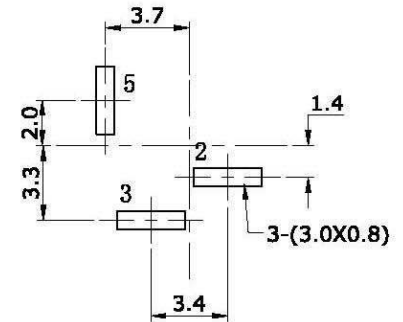


# ROHS

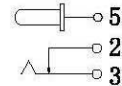
2002/95/EC



P. C. B LAYOUT  
TOP VIEW



**SCHEMATIC**



PIN	Ø2.0	Ø2.5	
APPD.	✓		

7	NUT	1	BRASS	Ni-Plating
6	COVER	1	PCB	
5	CONTACT FOOT	1	BRASS	Sn-Plating
4	PIN	1	H59 BRASS	Ni-Plating
3	SPRING	1	PHOSPHOR BRONZE	Sn-Plating
2	FLAT PIECE	1	H62 BRASS	Sn-Plating
1	HOUSING	1	PBT	
NO.	DESCRIPTION	QTY	MATERIAL	PLATING

UNIT: MM	TYPE:	MODEL NO:	PAPER NO: A4	PAGE 1 OF 1	
	DC JACK	DC-022	TOLERANCE	ANGLES	SCALE
			± 0.15	± 1.5°	3:1
DESIGNER BY:	Liu Xiaoheng				
CHECK BY:	Liu Xiaoheng				
APPROVED BY:	Wang Jingli				
DATE :	2009-7-25				