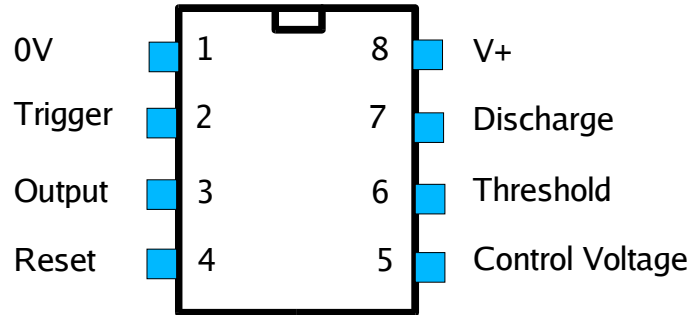
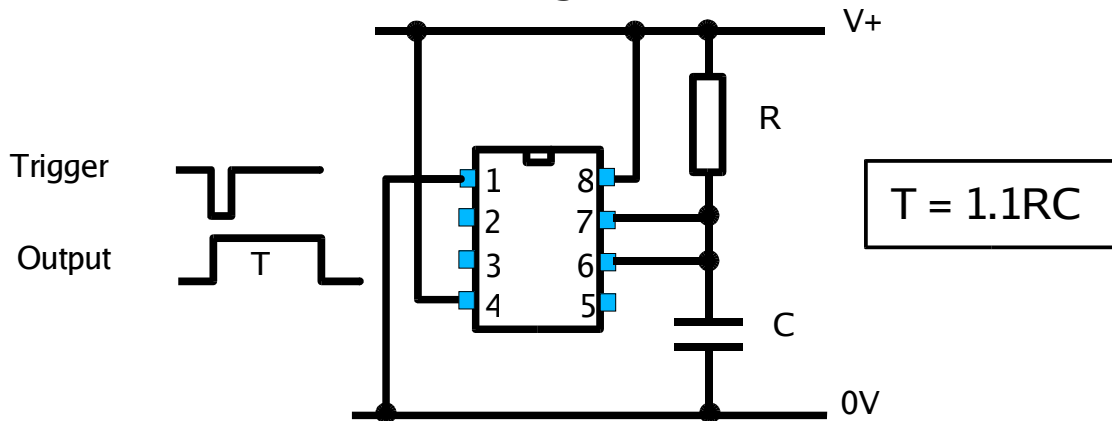


555 Timer

Pin Out



Monostable (pulse) configuration.



Astable (oscillating) configuration.

